

## Features

- Designed to match Hamilton Hartland CFX Series
- 4 standard finishes plus custom finishes available to order
- Up to 10 buttons per panel
- White LED indication on each button
- All button functions are programmable - inc. 16 sequences
- Engraving options on buttons or plate
- Hidden RJ12 programming socket or IR receiver option in place of button 10
- EEPROM program and sequence memory
- Future proof with flash memory
- CE compliant to all relevant standards
- Designed and manufactured to ISO9001:2008 standards



Bright Chrome example



## Overview

These control plates provide the interface between the user and the remote dimmer or ballast power control devices connected together using the iLight control network. Installed in standard single gang UK style electrical wallboxes and connected by LV cable, these versatile units can be installed in any chosen position to suit the layout.

Control Plates perform a number of tasks. Buttons allow users to select lighting scenes, raise or lower levels, or select any other programmed system function including sequences. Multiple control plates may be used in each area and will communicate with each other to always show the function selected irrespective of which control plate selected it. Plates with the program function activated will allow lighting scenes to be re-programmed locally when required.

### Technical Specification

#### Mechanical

##### UK Version

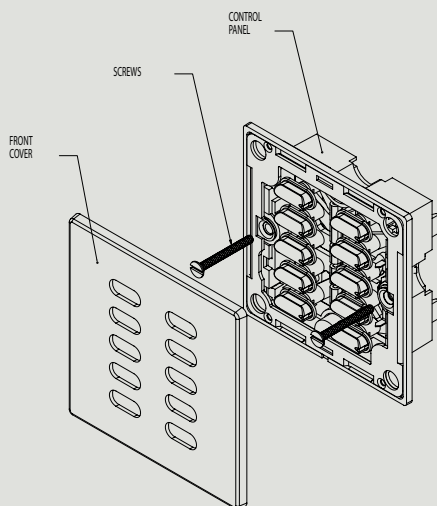
**Control Cable Access:** as standard UK 35mm deep wallbox – not provided

**Temperature:** +2°C to +40°C

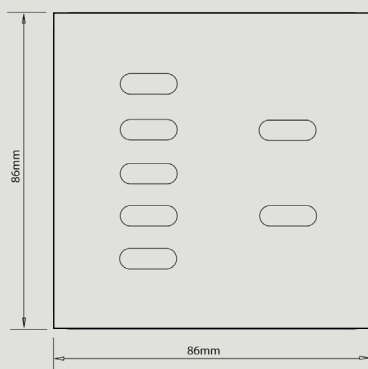
**Humidity:** +5 to 95% non condensing

##### Control Inputs:

One set of terminals for the iLight network  
Suitable for CAT5 FTP



#### Dimensions



#### Button Functions

Scene selection	Scene raise/lower
Channel raise/lower	Toggle on/off
Toggle raise/lower	True off
Open/Close (for curtains or blinds)	Raise/Lower (for motorized screens)
Task (start/stop a sequence)	Program (to record a scene locally)

#### Electrical Data

**Supply:** +12V (via iCANnet™ cable)

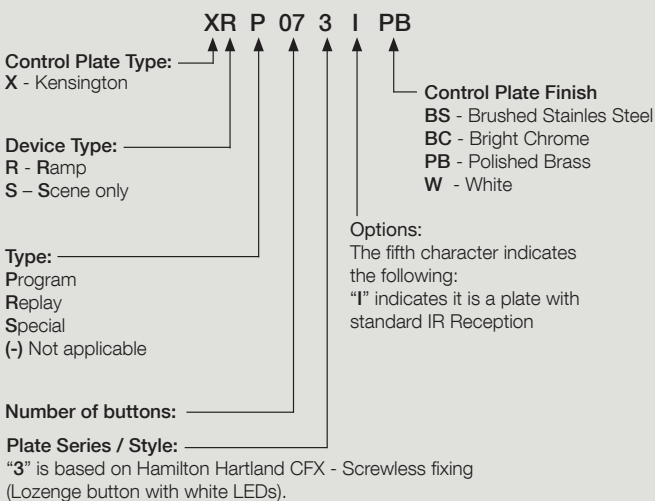
**Terminal Sizes:** Screw terminals within two part connectors, able to accept 1.5mm<sup>2</sup> stranded and solid wire.

**iCANnet™ cable size:** 5 x 1mm<sup>2</sup>

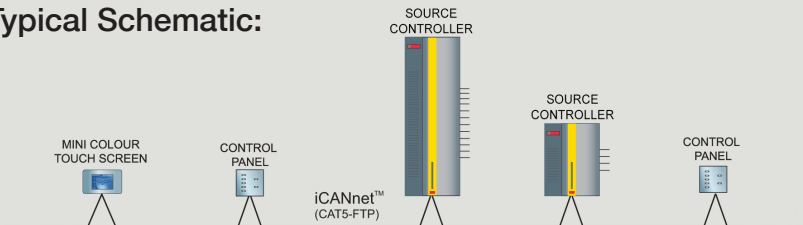
##### Memory:

Flash memory to be able to upgrade firmware  
EEPROM for program and sequence memory

#### Ordering Codes



#### Typical Schematic:



<b>Voltage</b> 	PELV <input checked="" type="checkbox"/>	<b>Standards</b> 					
	CLASS 2 (US) <input type="checkbox"/>						

This product conforms to one or more of the above standards. Please contact your local Cooper Controls representative for further information.

**iLight**  
20 Greenhill Crescent, Watford Business Park,  
Watford, Herts, WD18 8JA. UK  
T: +44 (0)1923 495496 F: +44 (0)1923 228796  
E: enquiries@iLight.co.uk www.iLight.co.uk

Dealer: